

CUTTING



MOUNTING



POLISHING



HARDNESS TESTING



MECAPRESS 3

THE FASTEST HOT MOUNTING MACHINE ON THE MARKET



Automatic hot mounting machine, Mecapress 3, is a user-friendly machine, very easy to manipulate.



A STRONG WORLDWIDE PRESENCE THROUGH SUBSIDIARIES AND MORE THAN 35 DISTRIBUTORS



FUNCTIONALITIES

REF. 53500

Width
320mm

Depth
560mm

Height closed lid
530mm

Height opened lid
620mm

Weight
65 kg

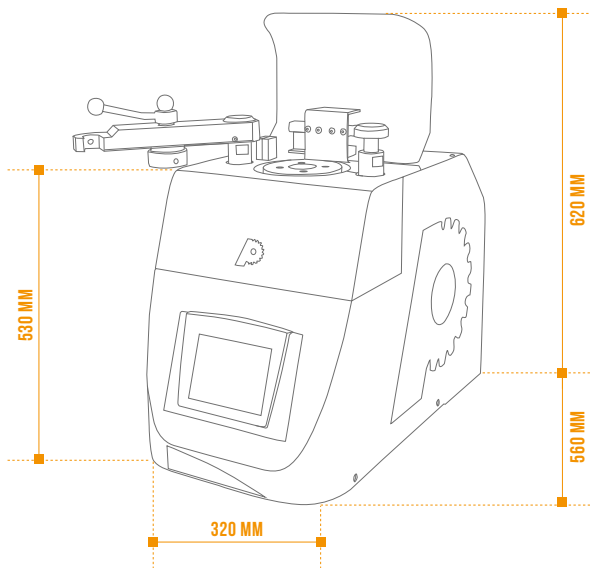
Conformity
EC

MECAPRESS 3, new generation mounting press

MECAPRESS 3 is a fully automated hot mounting press. Very easy to use, MECAPRESS 3 offers all the features expected in a high precision machine: memorisation and adjustment of all mounting parameters, custom programmability, rapid cycle option and water saving mode. A powerful and flexible machine.



- New colour touch screen.
- Intuitive use.
- New heating and cooling technologies for fast cycles.
- New ergonomic design.



PRESI offers you also a whole range of hot mounting resins in order to meet all your needs!

CHARACTERISTICS

Automatic cycle	✓
Fast cycle	✓
Temperature adjustable	From 100 to 200 °C, by step of 1 °C
Heating time adjustable	From 0 to 9999 seconds, by step of 1 second
Cooling time adjustable	From 0 to 9999 seconds, by step of 1 second
Cooling mode adjustable	✓
Pressure adjustable	From 300 to 1.800 daN, by step of 1 daN (for a 6 bars compressed air network)
Mould diameter	25.4/30/31.7/38.1/40/50mm
Intermediate ram (to allow two molds be made at the same time)	✓
Easy interchangeable moulds	✓
Possibility to stop the piston at the required position	✓
Fast arm lock	✓
Secure mould closing	✓
Sensor for detecting if mould is closed	✓
Mounting parameters adjustable	✓
Mounting parameters readable on tactile screen	✓
Memorised mounting processes	More than 100 processes
Cooling by pulse	✓
Connectors to plug and control tank and re-circulating pump	✓
Easy cleaning	✓
Easy use and maintenance	✓
Power	> 2 KW
Electrical input	220 V Monophase 50/60 Hz / 8A
Air pressure (input)	6-10 bars
Air connector diameter (input and output)	Ø 10mm
Water connector diameter (input and output)	Ø 12mm

ACCESSORIES

Mould sets

- 53505**
Mould set Ø 25.4mm
- 53506**
Mould set Ø 30mm
- 53507**
Mould set Ø 31.7mm
- 53508**
Mould set Ø 38.1mm
- 53509**
Mould set Ø 40mm
- 53510**
Mould set Ø 50mm



REF. 53416 /53420 À 53424



REF. 53505 TO 53510



REF. 53515



REF. 67750

Intermediate rams

- Intermediate rams enable to achieve 2 simultaneous mounts with only one mould.
- 53416**
Intermediate rams Ø 25.4mm
- 53420**
Intermediate rams Ø 30mm
- 53421**
Intermediate rams Ø 31.7mm
- 53422**
Intermediate rams Ø 38.1mm
- 53423**
Intermediate rams Ø 40mm
- 53424**
Intermediate rams Ø 50mm

Other accessories

- 53515**
55 l recirculating tank and pump system.
This recirculating system provides for closed circuit cooling of MECAPRESS 3 with the benefit of greatly reduced water use and the elimination of calcium carbonate build up from hard water supplies. It also allows the MECAPRESS 3 to be used in areas of the lab where there Environmentally friendly!
- No more calcium problem
- Water saving
- 67750**
Air compressor
(for labs with no compressed air supply).

CONSUMABLES

● PHENOLIC RESIN

REF.	DESIGNATION	COLOUR	USE	CHARACTERISTICS
03001	Pack 2.5kg	Black	Standard mounting media for soft to medium hard materials	Shrinkage: low Hardness: 90 shore D
03101	Pack 10kg			
03150	25kg			
03002	Pack 2.5kg	Green		
03102	Pack 10kg			
03151	25kg			
03003	Pack 2.5kg	Red		
03103	Pack 10kg			
03152	25kg			
03011	Pack 2.5kg	White		
03105	Pack 10kg			
03010	Pack 2.5kg	Black fiber glass	Standard mounting media for soft to medium hard materials	Shrinkage: low Hardness: 95 shore D
03111	Pack 10kg			
03012	Pack 2.5kg	Conductive Phenolic (black carbon)	SEM applications or electrolytic polishing	Shrinkage: low Hardness: 90 shore D Conductivity: good

● ALLYLIC RESIN

REF.	DESIGNATION	COLOUR	USE	CHARACTERISTICS
03005	Pack 2.5kg	Blue	Observation of sample edges	Shrinkage: very low Hardness: 93 shore D
03106	Pack 10kg			

● ACRYLIC RESIN

REF.	DESIGNATION	COLOUR	USE	CHARACTERISTICS
03006	Pack 2.5kg	Copper	Powder. For electro-polishing or electrolytic etching	Shrinkage: low Hardness: 90 shore D Conductivity: good
03007	Pack 2.5kg	Transparent	Powder. When a transparent mount is required	Shrinkage: low Hardness: 88 shore D
03108	Pack 10kg	Transparent		

● EPOXY

REF.	DESIGNATION	COLOUR	USE	CHARACTERISTICS
03009	Pack 2.5kg	Black	Hard materials, edge observation, surface deposits, coatings	Shrinkage: very low Hardness: 96 shore D
03109	Pack 10kg			
03156	25kg			

● MOUNT RELEASE AGENT

REF.	DESIGNATION	COLOUR	USE	CHARACTERISTICS
03008	Mount release agent Silicone aerosol 500ml		Eases the remove of your mounted samples. Just spray into the mould of the mounting machine!	



WWW.HOSKIN.CA

● ENVIRONMENTAL ● INSTRUMENTATION ● MATERIALS TESTING
● INTEGRATED SYSTEMS ● RENTALS ● SERVICE

Vancouver | Oakville | Montréal | Edmonton